

AC12

Passive Coaxial Speaker



AC12 Coaxial Speaker

Designed and manufactured in the UK, the AC12 is a high output point source coaxial loudspeaker, suitable for Party KTV rooms and nightclub/entertainment market, where high SPL and vocal projection is required. Moving beyond the conventional black loudspeaker enclosure, the AC12 features contemporary industrial design, to be seen as well as heard.

The AC12 features a high-performance Italian-made 12" ferrite driver with 3" voice coil and demodulation ring, plus a 1.4" compression driver with extended HF response. This enables the AC12 to deliver very high output levels, vocal projection and reliability, whilst maintaining a clear, low-distortion tonal balance.

The coaxial driver design maintains the 80° x 80° pattern control down to below the crossover point. Five M10 inserts for eyebolts provide ample means of installing the AC12 in a venue. A robust die-cast pole mount is also provided, along with pocket handles on each side.

Construction is no-compromise, using a combination of 15mm Baltic birch ply cabinet, coated in a tough dark grey Polyurea (PU) material. The cloth-backed silver coloured steel grille is zinc plated and covered in an exterior-grade powder coat, providing superior corrosion resistance. For ease of installation, the logo badge is user rotatable, without requiring tools.

A high-quality, hand-built passive crossover and 8 ohm nominal impedance allows two AC12's to be driven by one channel of the LS8Q (or LS12Q) four channel amplifiers. Up to eight AC15's can be driven by one LS series amplifier, which also comes pre-loaded with EQ presets and limiter settings for the A Series products.

For additional low frequency output, the AC12 can be partnered with the AS18 or AS218 direct-radiating subwoofers. It can also be used to complement its big brother, the AC15, in large Party KTV rooms, or entertainment venues.



System Type: Coaxial

Loading.....	Front Ported
Cabinet.....	Baltic Birch Ply
Shape.....	Multi-angle

System Specification

Power Handling (continuous/RMS).....	350W
Power Handling (peak, 6dB crest factor).....	1400W
Sensitivity (2.83V/1m) 4PI Full Space.....	97dB
Impedance.....	8 ohms

Drivers

LF.....	12" 300mm die-cast chassis/basket, 3" 75mm Voice Coil with Ferrite magnet
HF.....	1.4" 35mm exit compression driver, 3" 75mm Voice Coil with Shared with LF driver magnet

Acoustic Specification

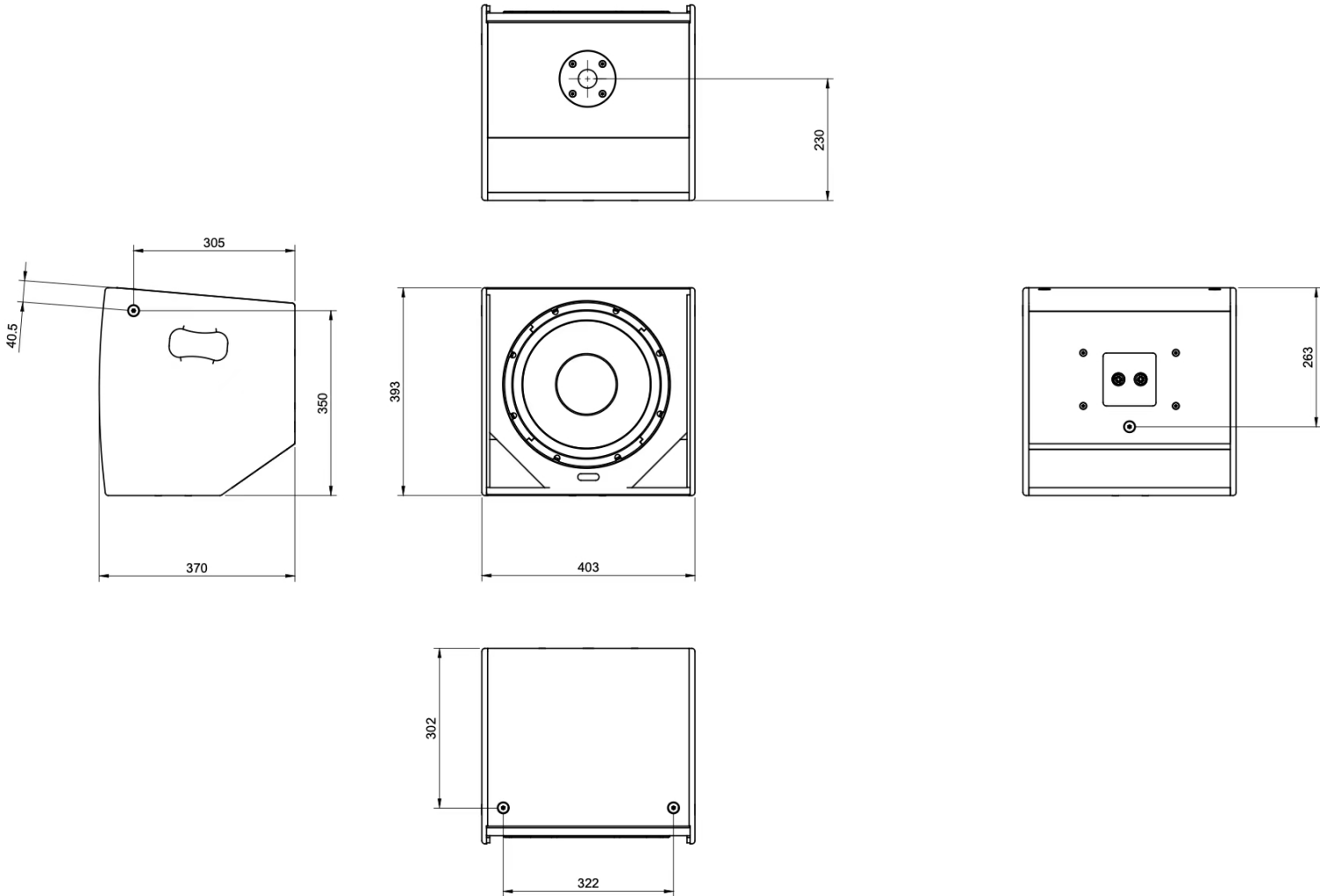
Dispersion (-6dB), Horizontal x Vertical.....	80° x 80°, conical
Max SPL (calculated), continuous.....	122.5dB
Max SPL (calculated), peak (6dB crest factor).....	128.5dB
Max SPL (calculated), peak (12dB crest factor).....	134.5dB
Frequency Response (-3dB).....	65Hz-18.5kHz
At -10dB.....	-10dB @ 45Hz

Cabinet Specification

Connectors.....	2x Neutrik® NL4 1+/1-
Pole mount.....	Die-cast, For 35mm diameter pole
Cabinet Coating.....	Polyurea
Weight.....	20.15kg (44.42lb), with Carton 22kg (48.5 lb)
Dimensions (H*W*D mm)	393*403*370, with Carton 452*425*425

AC12

Passive Coaxial Speaker



COPYRIGHT LOGIC SYSTEM PRO AUDIO LTD.

