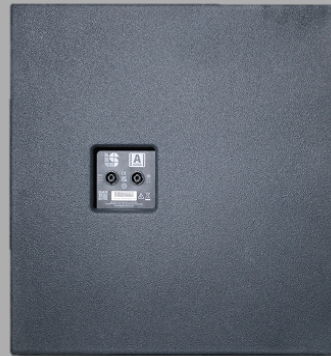


# AS18

## Subwoofer



### AS18 Subwoofer

Designed and manufactured in the UK, the AS18 is a very high output, compact, direct-radiating subwoofer, suitable for the nightclub/entertainment market and Party KTV rooms, where high SPL is required. Moving beyond the conventional black loudspeaker enclosure, the AS18 features contemporary industrial design, to be seen as well as heard.

The AS18 features a high-power handling 18" Italian-made driver with 4" long-excursion voice coil, demodulation ring and vented ferrite motor. Large ports provide low-turbulence airflow, when reproducing signals at the lower end of the operating band. These features enable the AS18 to deliver very high output levels and reliability, whilst maintaining a clear, low-distortion low frequency sound quality.

The enclosure is made from 18mm Baltic birch ply, with a tough, dark grey Polyurea (PU) coating. The silver-coloured steel grille is zinc plated and covered in an exterior-grade powder coat, providing superior corrosion resistance. A large slot handle on each side of the cabinet is included for ease of installation.

Up to eight AS18's can be driven by one LS12Q, or LS8Q amplifiers, which also come pre-loaded with EQ presets and limiter settings for the A Series product.

The AS18 direct-radiating subwoofer is commonly partnered with the AT12 two-way or AC12 coaxial full range loudspeakers. It can also form part of an installation using the larger AT15, AC15 and AS218 products.

### System Type: Single 18" Direct Radiating Subwoofer

Loading.....Front Ported  
Cabinet.....Baltic Birch Ply

### System Specification

Power Handling (continuous/RMS).....1200W  
Power Handling (peak, 6dB crest factor).....4800W  
Sensitivity (2.83V/1m) 2PI Full Space.....102dB  
Impedance.....8 ohms

### Drivers

LF.....1x18" die-cast chasis/basket, 4" 100mm Voice Coil with Ferrite magnet

### Acoustic Specification

Max SPL (calculated), continuous.....133dB  
Max SPL (calculated), peak (6dB crest factor).....139dB  
Max SPL (calculated), peak (12dB crest factor).....145dB  
Frequency Response (-3dB).....35Hz-150Hz  
At -10dB.....-10dB @ 28Hz

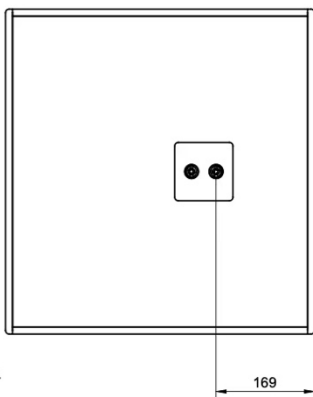
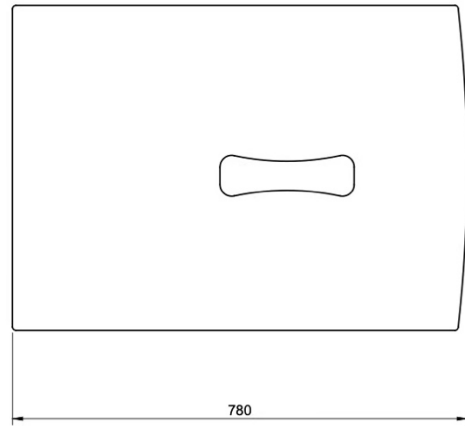
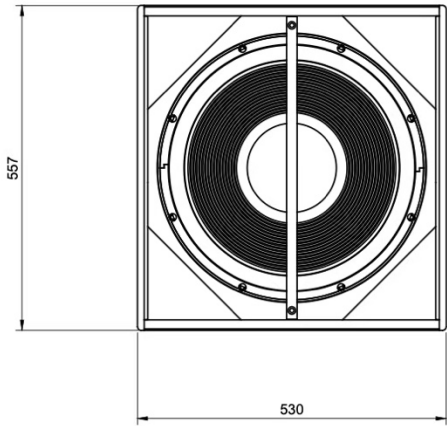
### Cabinet Specification

Connectors.....2x Neutrik® NL4 1+/1-  
Handles.....Handle on each side  
Cabinet Coating.....Polyurea  
Weight.....47.5kg (104.72lb), with Carton 51kg (112.44lb)  
Dimensions (H\*W\*D mm) .....557\*530\*780, with Carton 606\*595\*815



# AS18

Subwoofer



COPYRIGHT LOGIC SYSTEM PRO AUDIO LTD.

