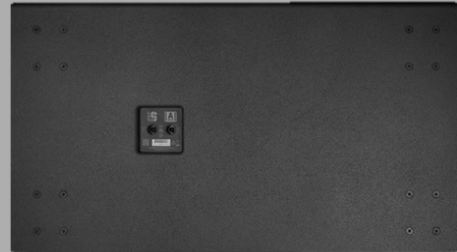
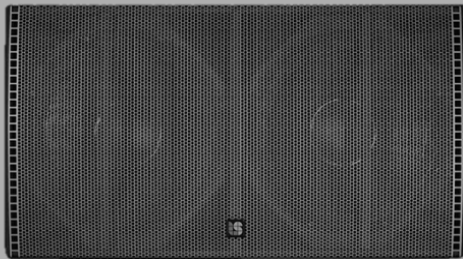


AS218

Subwoofer



AS218 Subwoofer

Designed and manufactured in the UK, the AS218 is a very high output direct-radiating subwoofer, suitable for the nightclub/entertainment market and large Party KTV rooms, where high SPL is required. Moving beyond the conventional black loudspeaker enclosure, the AS218 features contemporary industrial design, to be seen as well as heard.

The AS218 features two high power handling 18" Italian-made drivers with 4" long-excursion voice coils, demodulation rings and vented ferrite motors. Large ports provide low-turbulence airflow, when reproducing signals at the lower end of the operating band. These features enable the AS218 to deliver very high output levels and reliability, whilst maintaining a clear, low-distortion low frequency sound quality.

The enclosure is made from 18mm Baltic birch ply, with a tough, dark grey Polyurea (PU) coating. The silver-coloured steel grille is zinc plated and covered in an exterior-grade powder coat, providing superior corrosion resistance. Inserts are provided on the rear, for castors. A large slot handle on each side of the cabinet is included for ease of installation.

Up to four AS218's can be driven by one LS12Q, or LS8Q amplifier, which also come pre-loaded with EQ presets and limiter settings for the A Series product.

The AS218 direct-radiating subwoofer is commonly partnered with the AT15 two-way or AC15 coaxial full range loudspeakers.

System Type: Dual 18" Direct Radiating Subwoofer

Loading.....Front Ported
Cabinet.....Baltic Birch Ply

System Specification

Power Handling (continuous/RMS).....2400W
Power Handling (peak, 6dB crest factor).....9600W
Sensitivity (2.83V/1m) 2PI Full Space.....105dB
Impedance.....4 ohms

Drivers

LF.....2x18" die-cast chasis/basket, 4" 100mm Voice Coil with Ferrite magnet

Acoustic Specification

Max SPL (calculated), continuous.....139dB
Max SPL (calculated), peak (6dB crest factor).....145dB
Max SPL (calculated), peak (12dB crest factor).....151dB
Frequency Response (-3dB).....35Hz-150Hz
At -10dB.....-10dB @ 28Hz

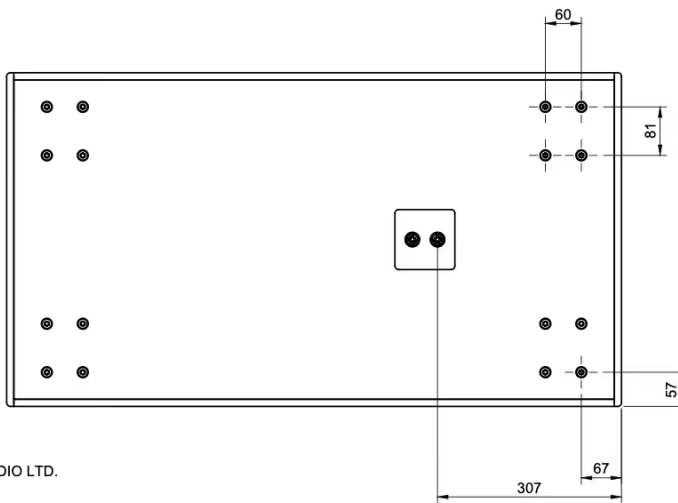
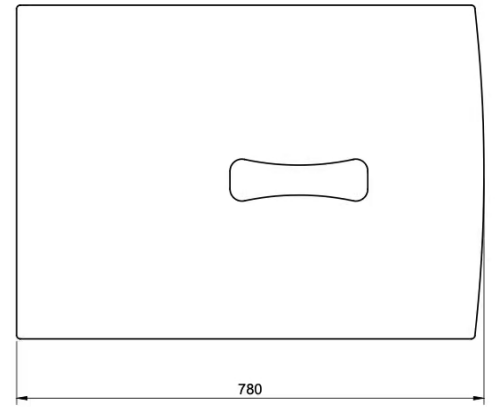
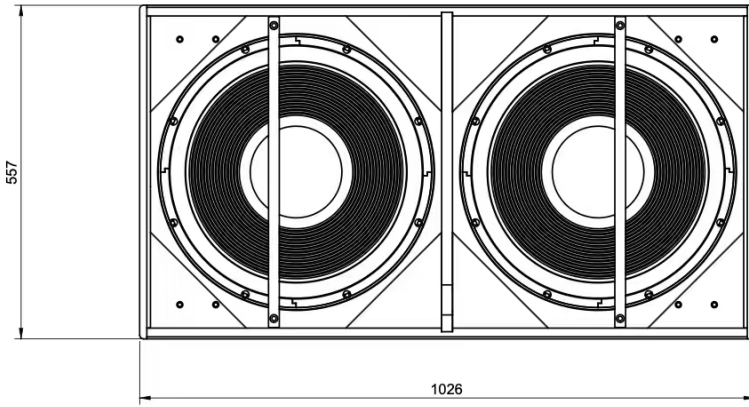
Cabinet Specification

Connectors.....2x Neutrik® NL4 1+/1-
Handles.....Handle on each side
Cabinet Coating.....Polyurea
Weight.....86.45kg (188.39lb), with Carton 91.35kg (201.39lb)
Dimensions (H*W*D mm)557*1026*780
with Carton 595*1080*815



AS218

Subwoofer



COPYRIGHT LOGIC SYSTEM PRO AUDIO LTD.

