

# AT12

## Passive Two -Way Speaker



### AT12 Passive Speaker

Designed and manufactured in the UK, the AT12 is a very high output compact point source two-way loudspeaker, suitable for the nightclub/entertainment market and Party KTV rooms, where high SPL is required. Moving beyond the conventional black loudspeaker enclosure, the AT12 features contemporary industrial design, to be seen as well as heard.

Using Italian-made transducers, the AT12 features a 12" ferrite driver with 3" voice coil and demodulation ring, plus a 1" neodymium compression driver with extended HF response. This enables the AT12 to deliver high output levels and reliability, whilst maintaining a clear, low-distortion tonal balance.

The elliptical HF horn maintains the 90° x 60° pattern control down to the 2.2kHz crossover point. It is user-rotatable, allowing the AT12 to be deployed in portrait or landscape orientation. Twelve M10 inserts for eyebolts provide ample means of installing the AT12 in a venue. A robust, die-cast pole mount is also provided, along with pocket handles on each side.

Construction is no-compromise, using a combination of 15mm Baltic birch ply cabinet, with a tough, dark grey Polyurea (PU) coating. The cloth-backed, silver coloured steel grille is zinc plated and covered in an exterior-grade powder coat, providing superior corrosion resistance. For ease of installation, the logo badge is user-rotatable, without requiring tools.

A high-quality, hand-built passive crossover and 8-ohm nominal impedance allows two AT12's to be driven by one channel of the LS8Q (or LS12Q) four channel amplifiers. Up to eight AT12's can be driven by one LS series amplifier, which also comes pre-loaded with EQ presets and limiter settings for the A Series product.

For additional low frequency output, the AT12 can be partnered with the AS218 or AS18 direct-radiating subwoofers. It can also be used to complement its big brother, the AT15, in large entertainment venues or Party KTV rooms.



### System Type: Passive Two-way

Loading.....Front Ported  
 Cabinet.....18mm Baltic Birch Ply  
 Shape.....Trapezoid

### System Specification

Power Handling (continuous/RMS).....400W  
 Power Handling (peak, 6dB crest factor).....1600W  
 Sensitivity (2.83V/1m) 4PI Full Space.....98dB  
 Impedance.....8 ohms

### Drivers

LF.....12" 300mm die-cast chassis/basket, 3" 75mm Voice Coil with Ferrite magnet  
 HF.....1" 25mm exit compression driver, 1.5" 38mm Voice Coil

### Acoustic Specification

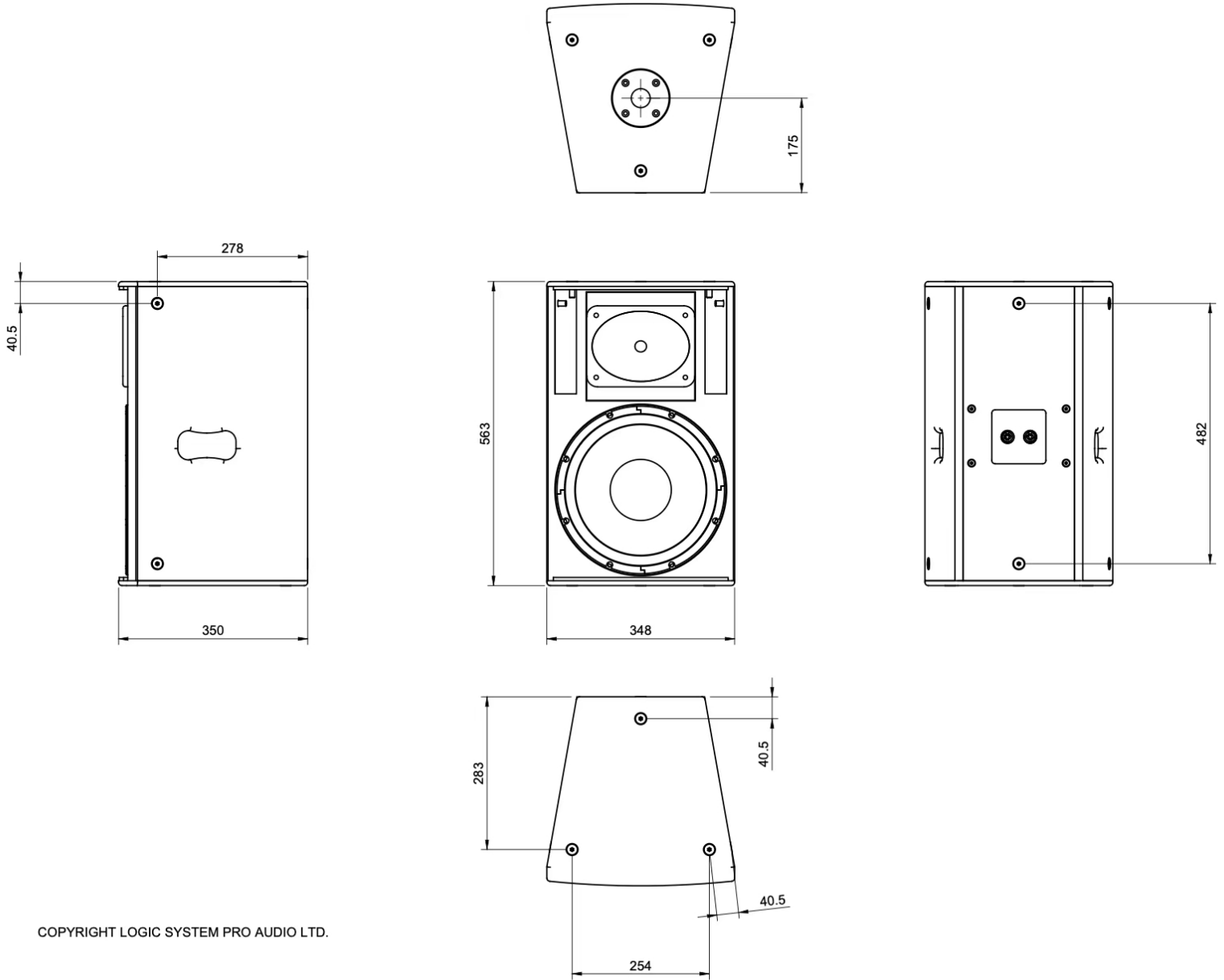
Dispersion (-6dB), Horizontal x Vertical.....90° x 60°, rotatable die-cast horn  
 Max SPL (calculated), continuous.....124dB  
 Max SPL (calculated), peak (6dB crest factor).....130dB  
 Max SPL (calculated), peak (12dB crest factor).....136dB  
 Frequency Response (-3dB).....69Hz-20kHz  
 At -10dB.....-10dB @ 46Hz

### Cabinet Specification

Connectors.....1x Neutrik® NL4 1+/1-  
 Pole mount.....Die-cast, For 35mm diameter pole  
 Cabinet Coating.....Polyurea  
 Weight.....21.65kg (47.73lb), with Carton 23.25kg (51.26lb)  
 Dimensions (H\*W\*D mm) .....563\*348\*350, with Carton 610\*385\*385

# AT12

Passive Two -Way Speaker



COPYRIGHT LOGIC SYSTEM PRO AUDIO LTD.

