

AT15

Passive Two -Way Speaker



AT15 Passive Speaker

Designed and manufactured in the UK, the AT15 is a very high output point source two-way loudspeaker, suitable for the nightclub/entertainment market and large Party KTV rooms, where high SPL is required. Moving beyond the conventional black loudspeaker enclosure, the AT15 features contemporary industrial design, to be seen as well as heard.

Using Italian-made transducers, the AT15 features a high performance 15" ferrite driver with 3.5" voice coil, vented gap and demodulation ring, plus a 1.4" compression driver with extended HF response. This enables the AT15 to deliver very high output levels and reliability, whilst maintaining a clear, low-distortion tonal balance.

The large die-cast HF horn maintains the 80° x 60° pattern control down to below the 1.2kHz crossover point. It is user-rotatable, allowing the AT15 to be deployed in portrait or landscape orientation. Twelve M10 inserts for eyebolts provide ample means of installing the AT15 in a venue. A robust die-cast pole mount is also provided, along with pocket handles on each side.

Construction is no-compromise, using an 18mm Baltic birch ply cabinet, with a tough, dark grey Polyurea (PU) coating. The cloth-backed, silver coloured steel grille is zinc plated and covered in an exterior-grade powder coat, providing superior corrosion resistance. For ease of installation, the logo badge is user-rotatable, without requiring tools.

A high-quality, hand-built passive crossover and 8-ohm nominal impedance allows two AT15's to be driven by one channel of the LS8Q or LS12Q four channel amplifiers. Up to eight AT15's can be driven by one LS series amplifier, which also comes pre-loaded with EQ presets and limiter settings for the A Series product.

For additional low frequency output, the AT15 can be partnered with the AS218 direct-radiating subwoofer.

System Type: Passive Two-way

Loading.....Front Ported
 Cabinet.....18mm Baltic Birch Ply
 Shape.....Trapezoid

System Specification

Power Handling (continuous/RMS).....600W
 Power Handling (peak, 6dB crest factor).....2400W
 Sensitivity (2.83V/1m) 4PI Full Space.....100dB
 Impedance.....8 ohms

Drivers

LF.....15" 380mm die-cast chassis/basket, 3.5" 88mm Voice Coil with Ferrite magnet
 HF.....1.4" 35mm exit compression driver, 2.5" 63.5mm Voice Coil

Acoustic Specification

Dispersion (-6dB), Horizontal x Vertical.....80° x 60°, rotatable die-cast horn
 Max SPL (calculated), continuous.....128dB
 Max SPL (calculated), peak (6dB crest factor).....134dB
 Max SPL (calculated), peak (12dB crest factor).....140dB
 Frequency Response (-3dB).....57Hz-20kHz
 At -10dB.....-10dB @ 46Hz

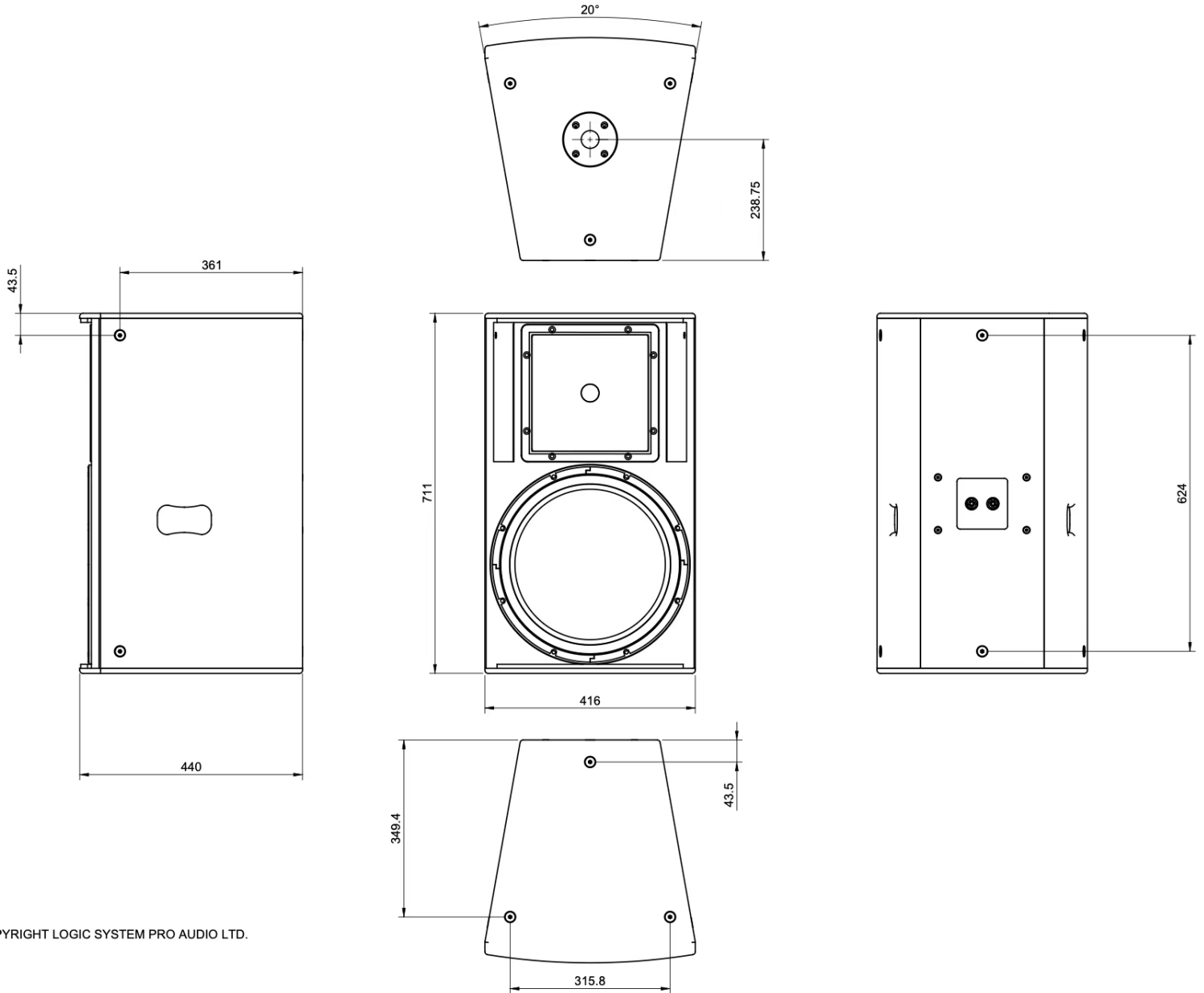
Cabinet Specification

Connectors.....2x Neutrik® NL4 1+/1-
 Pole mount.....Die-cast, For 35mm diameter pole
 Cabinet Coating.....Polyurea
 Weight.....35.95kg (79.26lb), with Carton 38.4kg (84.66lb)
 Dimensions (H*W*D mm)711*416*440, with Carton 760*475*450



AT15

Passive Two -Way Speaker



COPYRIGHT LOGIC SYSTEM PRO AUDIO LTD.

